

Silvaflame-Cleervue Co Ltd

LATHE GUARDS SL6/SL12/SL18

DESCRIPTION

This Cleervue Lathe Guard is made of 2mm Steel with 4mm Polycarbonate visors making it very impact resistant.

The guard easily lifts out of the way allowing for quick and easy access to the chuck.

UNPACKING

Check for shipping damage. If damage has occurred, a claim must be filled with carrier. Check for completeness. Immediately report missing parts to supplier.

SAFETY RULES

Warning: for your own safety, read all of the instructions and precautions before operating tool.

Caution: always follow proper operating procedures as defined in this manual - even if you are familiar with use of this or similar tools.

Remember that being careless for even a fraction of a second can result in severe personal injury.

ASSEMBLY

The guard will come completely assembled ready to be fitted to your machine.

INSTALLATION

The Lathe Guard fits easily to the saddle of the lathe.

You simply place the guard on the back of the saddle to find the best mounting place, mark the two mounting holes with a pen and drill and tap M8. Tighten down with the two M8 bolts.

The guard can be moved forward and up and down using the locking handles to position the guard in the best place to cover the working area.

On the interlocked guards, the interlock needs to be wired into the machine by a trained professional.

Important: Make sure all bolts are nice and tight.

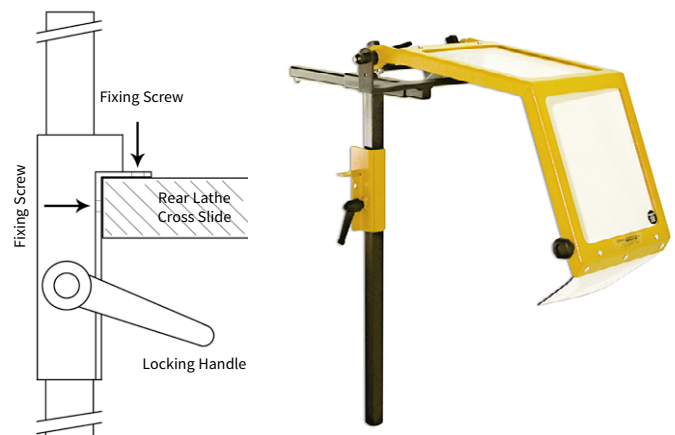
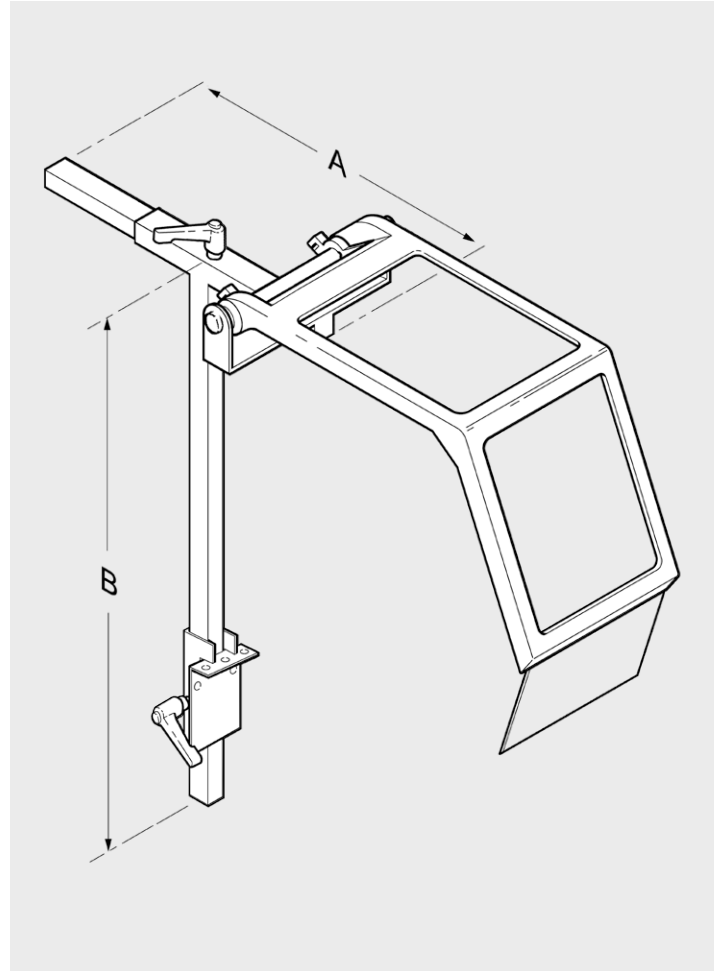
The visors should be replaced every 3 years and should be checked every day before use for signs of cracking or weakening.

Some coolants and cleaners are known to weaken polycarbonate so please check with your supplier before use.

OPERATION

These guards simply lift up to open using the know on the right-hand side, giving access to the work area.

The machine will stop once the guard is opened on the interlocked option.



For additional technical information or spare parts - Please contact us, we will be happy to help

SILVAFLAME-CLEERVUE COMPANY LIMITED

22, Park Street, Bridgtown, Cannock, Staffordshire, WS11 0BX. UK

T: 01543 431060 F: 01543 509140

e-mail: enquiries@silvaflame.com / silvaflame@cleervue.com

Manufacturers of MACHINERY SAFETY GUARDS



British made for
over 70 years

